

SIZE	NOMINAL AIRFLOW		A in. (mm)	B in. (mm)	QTY OF BLOWERS	HP	ECM MOTOR		
	CFM	l/s					TOTAL AMPS		
							115V	208/240V	277V
02	200	94	16 (406)	27 3/8 (695)	1	1/4	1.5	1.1	1.1
03	300	142	20 (508)	31 3/8 (797)	1	1/4	1.6	1.2	1.1
04	400	189	26 (660)	37 3/8 (949)	2	1/4	2.0	1.4	1.3
06	600	283	32 (813)	43 3/8 (1102)	2	1/4	2.8	2.0	1.7
08	800	378	40 (1016)	51 3/8 (1305)	2	1/4	3.5	2.3	2.3
10	1000	472	52 (1321)	63 3/8 (1610)	4	1/4 X 2	4.8	3.4	2.8
12	1200	566	60 (1524)	71 3/8 (1813)	4	1/4 X 2	5.6	3.6	3.1



NOTE:

1. ACTUAL NAMEPLATE AMPS MAY VARY BUT WILL NOT EXCEED VALUES SHOWN
2. RH CONTROLS AND WATER COIL SHOWN, HANDING DETERMINED BY LOOKING AT INLET
3. OPPOSITE HAND COIL AND ELECTRICAL ENCLOSURE AVAILABLE

WATER COIL CONFIGURATION	C in. (mm)
COOLING ONLY	18 1/2 (470)
REHEAT OR PREHEAT	22 1/2 (572)

ALL METRIC DIMENSIONS () ARE SOFT CONVERTED. IMPERIAL DIMENSIONS ARE CONVERTED TO METRIC AND ROUNDED TO THE NEAREST MILLIMETER.

PROJECT:		<p>FAN COIL FCH-2-1 FAN COIL HORIZONTAL REAR RETURN PLENUM</p>
ENGINEER:		
CUSTOMER:		
SUBMITTAL DATE:		
SPEC. SYMBOL:		<p style="text-align: center;"><i>TW</i></p> <p style="text-align: center;">274876</p> <p style="text-align: center;">2022/12/05</p>

STANDARD CONSTRUCTION:

- 20 GA. GALVANIZED STEEL CASING
- GALVANIZED HARDWARE
- 1" DISCHARGE DUCT CONNECTION
- INTEGRATED HANGER BRACKETS FOR SUSPENSION
- ELECTRONICALLY COMMUNTATED MOTOR (ECM)
- 2" MERV 8 PLEATED FILTER
- INTERNAL INSULATION - FIBERGLASS 1/2" (13mm) THICK

WATER COILS:

- WATER COIL EQUIPPED WITH GALVANIZED STEEL DRAIN PAN EXTERNALLY INSULATED WITH FIBER FREE FOAM
- 3/4" NPT DRAIN CONNECTION
- COILS - 1/2" O.D. COPPER TUBES, ALUMINUM SINE WAVE FINS, 5/8" O.D. CONNECTIONS
- 1 OR 2 ROW HEATING (PRE/REHEAT), 2,3,4,5 ROW COOLING, UP TO 7 TOTAL ROWS

UNIT OPTIONS:

ELECTRICAL:

- 24V TRANSFORMER
- DISCONNECT SWITCH
- MOTOR FUSING
- CONTROL CIRCUIT FUSING

ACCESSORIES:

- STAINLESS STEEL DRAIN PAN
- SECONDARY DRAIN
- AUXILIARY DRAIN PAN
- OVERFLOW SAFETY SWITCH
- 2" MERV 13 PLEATED FILTER
- 3 SPEED PROGRAM (ECM ONLY)
- MODULATING PROGRAM (ECM ONLY)
- FACTORY MOUNTED VALVE PACKAGE
- FIBER FREE FOAM LINER, 1/2" (13mm)

VALVE PACKAGE:

TCV TYPE:

- 2 WAY
- 3 WAY

CONTROL TYPE:

- ON-OFF
- FLOAT
- MODULATING

RETURN SIDE VALVE:

- AUTOMATIC BALANCING VALVE

SOURCE SIDE VALVE:

- Y-STRAINER W/ BLOWDOWN AND PT PORTS

COIL CONFIGURATION:

COOLING ONLY:

- 1 ROW
- 2 ROW
- 3 ROW
- 4 ROW
- 5 ROW


REHEAT (C/H):

- 2/1 ROW
- 2/2 ROW
- 3/1 ROW
- 3/2 ROW
- 4/1 ROW
- 4/2 ROW
- 5/1 ROW
- 5/2 ROW

PREHEAT (H/C):

- 1/2 ROW
- 2/2 ROW
- 1/3 ROW
- 2/3 ROW
- 1/4 ROW
- 2/4 ROW
- 1/5 ROW
- 2/5 ROW

ALL METRIC DIMENSIONS () ARE SOFT CONVERTED. IMPERIAL DIMENSIONS ARE CONVERTED TO METRIC AND ROUNDED TO THE NEAREST MILLIMETER.

PROJECT:		 FAN COIL FCH-2-1 FAN COIL HORIZONTAL REAR RETURN PLENUM
ENGINEER:		
CUSTOMER:		
SUBMITTAL DATE:	SPEC. SYMBOL:	
		<i>TW</i> 274876 2022/12/05

UNIT + COOLING COIL WEIGHT LBS (KG)							
ROW COOLING	SIZE						
	2	3	4	6	8	10	12
2 ROWS	35 (16)	44 (20)	51 (23)	58 (26)	73 (33)	96 (44)	107 (49)
3 ROWS	40 (18)	50 (23)	58 (26)	66 (30)	83 (38)	108 (49)	121 (55)
4 ROWS	44 (20)	55 (25)	65 (29)	74 (34)	93 (42)	120 (54)	135 (61)
5 ROWS	49 (22)	61 (28)	72 (33)	82 (37)	103 (47)	133 (60)	149 (68)

HOT WATER COIL WEIGHT LBS (KG)							
ROW HEATING	SIZE						
	2	3	4	6	8	10	12
1 ROW	3 (1)	4 (2)	5 (2)	6 (3)	7 (3)	8 (4)	9 (4)
2 ROWS	7 (3)	8 (4)	10 (5)	12 (5)	14 (6)	17 (8)	20 (9)

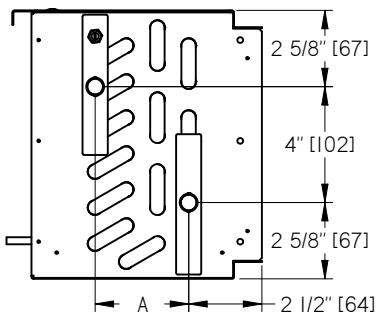
NOTE: ALL COIL WEIGHTS ARE WET

COOLING		REHEAT				PREHEAT			
ROWS	A in. (mm)	ROWS (CW/HW)	B in. (mm)	C in. (mm)	D in. (mm)	ROWS (HW/CW)	E in. (mm)	F in. (mm)	G in. (mm)
2	1 1/8 (29)	2/1	0	4 (102)	1 1/8 (29)	1/2	1 1/8 (29)	1 1/2 (38)	0
		3/1	0	4 (102)	2 1/8 (54)	1/3	2 1/8 (54)	2 1/2 (64)	0
3	2 1/8 (54)	4/1	0	4 (102)	3 1/4 (83)	1/4	3 1/4 (83)	3 5/8 (92)	0
		5/1	0	4 (102)	4 3/8 (111)	1/5	4 3/8 (111)	4 3/4 (121)	0
4	3 1/4 (83)	2/2	1 1/8 (29)	3 (76)	1 1/8 (29)	2/2	1 1/8 (29)	1 1/2 (38)	1 1/8 (29)
		3/2	1 1/8 (29)	3 (76)	2 1/8 (54)	2/3	2 1/8 (54)	2 1/2 (64)	1 1/8 (29)
5	4 3/8 (111)	4/2	1 1/8 (29)	3 (76)	3 1/4 (83)	2/4	3 1/4 (83)	3 5/8 (92)	1 1/8 (29)
		5/2	1 1/8 (29)	3 (76)	4 3/8 (111)	2/5	4 3/8 (111)	4 3/4 (121)	1 1/8 (29)

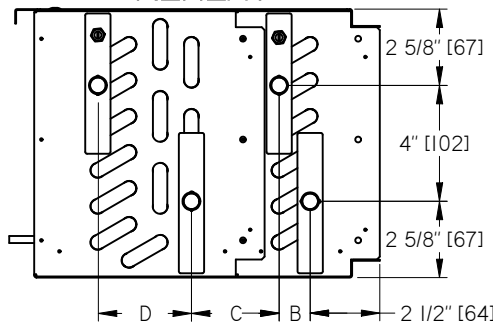
AIRFLOW



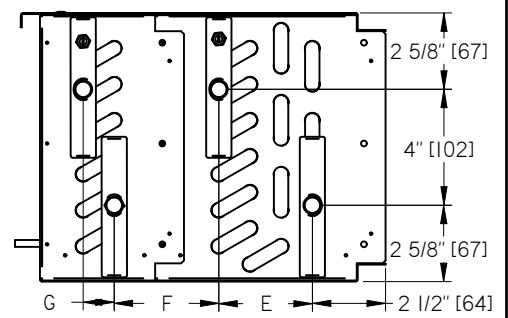
COOLING



REHEAT

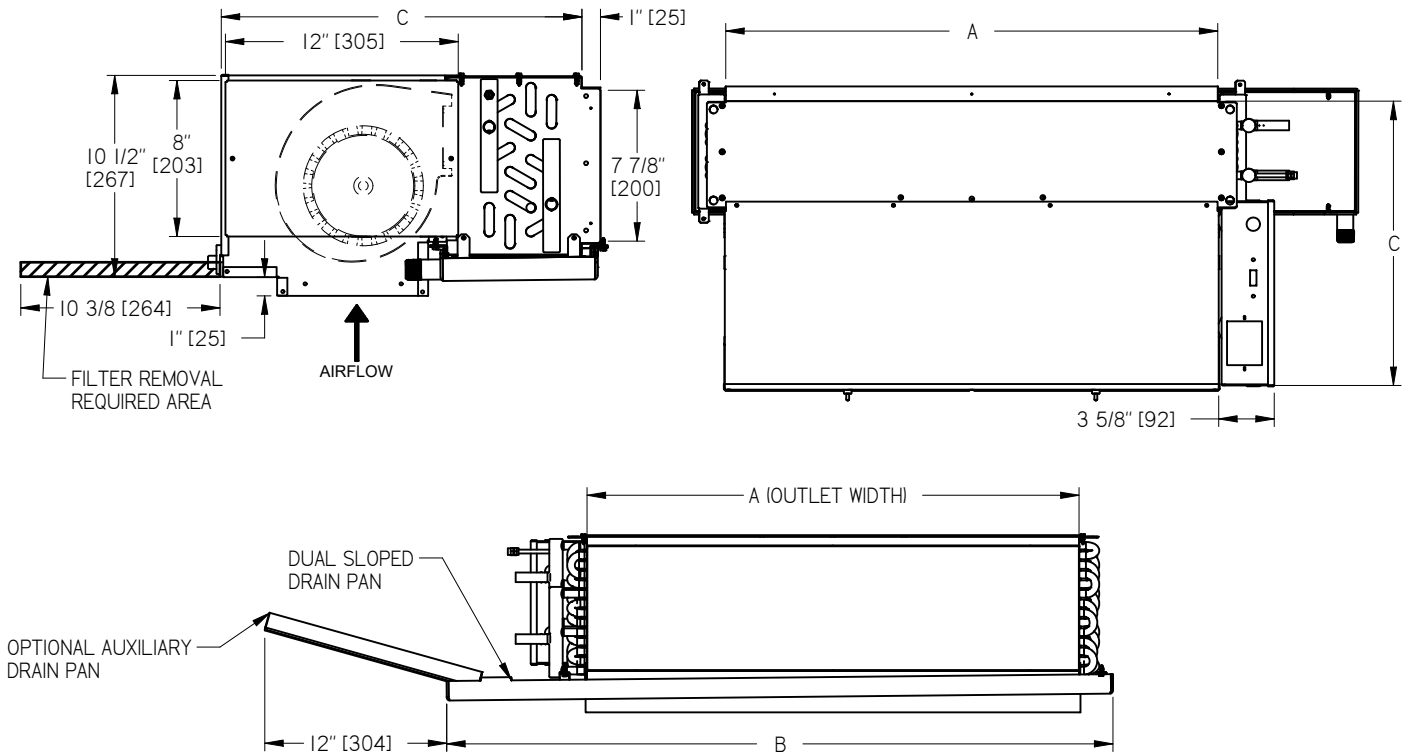


PREHEAT



ALL METRIC DIMENSIONS () ARE SOFT CONVERTED. IMPERIAL DIMENSIONS ARE CONVERTED TO METRIC AND ROUNDED TO THE NEAREST MILLIMETER.

PROJECT:		<p>FAN COIL FCH-2-1 FAN COIL HORIZONTAL REAR RETURN PLENUM</p>	
ENGINEER:			<i>TW</i>
CUSTOMER:			274876
SUBMITTAL DATE:			2022/12/05
SPEC. SYMBOL:			



SIZE	NOMINAL AIRFLOW		A in. (mm)	B in. (mm)	QTY OF BLOWERS	ECM MOTOR			
	CFM	l/s				HP	TOTAL AMPS		
							115V	208/240V	277V
02	200	94	16 (406)	27 3/8 (695)	1	1/4	1.5	1.1	1.1
03	300	142	20 (508)	31 3/8 (797)	1	1/4	1.6	1.2	1.1
04	400	189	26 (660)	37 3/8 (949)	2	1/4	2.0	1.4	1.3
06	600	283	32 (813)	43 3/8 (1102)	2	1/4	2.8	2.0	1.7
08	800	378	40 (1016)	51 3/8 (1305)	2	1/4	3.5	2.3	2.3
10	1000	472	52 (1321)	63 3/8 (1610)	4	1/4 X 2	4.8	3.4	2.8
12	1200	566	60 (1524)	71 3/8 (1813)	4	1/4 X 2	5.6	3.6	3.1



NOTE:

1. ACTUAL NAMEPLATE AMPS MAY VARY BUT WILL NOT EXCEED VALUES SHOWN
2. RH CONTROLS AND WATER COIL SHOWN, HANDING DETERMINED BY LOOKING AT INLET
3. OPPOSITE HAND COIL AND ELECTRICAL ENCLOSURE AVAILABLE

WATER COIL CONFIGURATION	C in. (mm)
COOLING ONLY	18 3/4 (476)
REHEAT OR PREHEAT	22 3/4 (578)



ALL METRIC DIMENSIONS () ARE SOFT CONVERTED. IMPERIAL DIMENSIONS ARE CONVERTED TO METRIC AND ROUNDED TO THE NEAREST MILLIMETER.

PROJECT:		 FAN COIL FCH-2-1 FAN COIL HORIZONTAL BOTTOM RETURN PLENUM
ENGINEER:		
CUSTOMER:		
SUBMITTAL DATE:	SPEC. SYMBOL:	
		TW 274877 2022/12/05

STANDARD CONSTRUCTION:

- 20 GA. GALVANIZED STEEL CASING
- GALVANIZED HARDWARE
- 1" DISCHARGE DUCT CONNECTION
- INTEGRATED HANGER BRACKETS FOR SUSPENSION
- ELECTRONICALLY COMMUNTATED MOTOR (ECM)
- 1" MERV 8 PLEATED FILTER
- INTERNAL INSULATION - FIBERGLASS 1/2" (13mm) THICK

WATER COILS:

- WATER COIL EQUIPPED WITH GALVANIZED STEEL DRAIN PAN EXTERNALLY INSULATED WITH FIBER FREE FOAM
- 3/4" NPT DRAIN CONNECTION
- COILS - 1/2" O.D. COPPER TUBES, ALUMINUM SINE WAVE FINS, 5/8" O.D. CONNECTIONS
- 1 OR 2 ROW HEATING (PRE/REHEAT), 2,3,4,5 ROW COOLING, UP TO 7 TOTAL ROWS

UNIT OPTIONS:

ELECTRICAL:

- 24V TRANSFORMER
- DISCONNECT SWITCH
- MOTOR FUSING
- CONTROL CIRCUIT FUSING

ACCESSORIES:

- STAINLESS STEEL DRAIN PAN
- SECONDARY DRAIN
- AUXILIARY DRAIN PAN
- OVERFLOW SAFETY SWITCH
- 1" MERV 13 PLEATED FILTER
- 3 SPEED PROGRAM (ECM ONLY)
- MODULATING PROGRAM (ECM ONLY)
- FACTORY MOUNTED VALVE PACKAGE
- FIBER FREE FOAM LINER, 1/2" (13mm)

VALVE PACKAGE:

TCV TYPE:

- 2 WAY
- 3 WAY

CONTROL TYPE:

- ON-OFF
- FLOAT
- MODULATING

RETURN SIDE VALVE:

- AUTOMATIC BALANCING VALVE

SOURCE SIDE VALVE:

- Y-STRAINER W/ BLOWDOWN AND PT PORTS

COIL CONFIGURATION:

COOLING ONLY:

- 1 ROW
- 2 ROW
- 3 ROW
- 4 ROW
- 5 ROW


REHEAT (C/H):

- 2/1 ROW
- 2/2 ROW
- 3/1 ROW
- 3/2 ROW
- 4/1 ROW
- 4/2 ROW
- 5/1 ROW
- 5/2 ROW

PREHEAT (H/C):

- 1/2 ROW
- 2/2 ROW
- 1/3 ROW
- 2/3 ROW
- 1/4 ROW
- 2/4 ROW
- 1/5 ROW
- 2/5 ROW

ALL METRIC DIMENSIONS () ARE SOFT CONVERTED. IMPERIAL DIMENSIONS ARE CONVERTED TO METRIC AND ROUNDED TO THE NEAREST MILLIMETER.

PROJECT:		
ENGINEER:		
CUSTOMER:		
SUBMITTAL DATE:	SPEC. SYMBOL:	
		<p><i>TW</i></p> <p>274877</p> <p>2022/12/05</p>
		<p>FAN COIL</p> <p>FCH-2-1</p> <p>FAN COIL HORIZONTAL</p> <p>BOTTOM RETURN</p> <p>PLENUM</p>

UNIT + COOLING COIL WEIGHT LBS (KG)							
ROW COOLING	SIZE						
	2	3	4	6	8	10	12
2 ROWS	35 (16)	44 (20)	51 (23)	58 (26)	73 (33)	96 (44)	107 (49)
3 ROWS	40 (18)	50 (23)	58 (26)	66 (30)	83 (38)	108 (49)	121 (55)
4 ROWS	44 (20)	55 (25)	65 (29)	74 (34)	93 (42)	120 (54)	135 (61)
5 ROWS	49 (22)	61 (28)	72 (33)	82 (37)	103 (47)	133 (60)	149 (68)

HOT WATER COIL WEIGHT LBS (KG)							
ROW HEATING	SIZE						
	2	3	4	6	8	10	12
1 ROW	3 (1)	4 (2)	5 (2)	6 (3)	7 (3)	8 (4)	9 (4)
2 ROWS	7 (3)	8 (4)	10 (5)	12 (5)	14 (6)	17 (8)	20 (9)

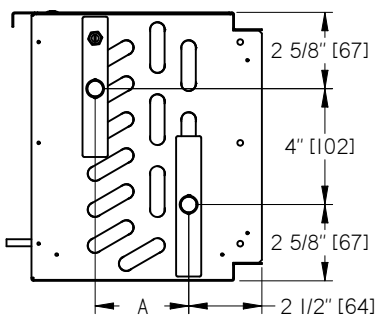
NOTE: ALL COIL WEIGHTS ARE WET

COOLING		REHEAT				PREHEAT			
ROWS	A in. (mm)	ROWS (CW/HW)	B in. (mm)	C in. (mm)	D in. (mm)	ROWS (HW/CW)	E in. (mm)	F in. (mm)	G in. (mm)
2	1 1/8 (29)	2/1	0	4 (102)	1 1/8 (29)	1/2	1 1/8 (29)	1 1/2 (38)	0
		3/1	0	4 (102)	2 1/8 (54)	1/3	2 1/8 (54)	2 1/2 (64)	0
3	2 1/8 (54)	4/1	0	4 (102)	3 1/4 (83)	1/4	3 1/4 (83)	3 5/8 (92)	0
		5/1	0	4 (102)	4 3/8 (111)	1/5	4 3/8 (111)	4 3/4 (121)	0
4	3 1/4 (83)	2/2	1 1/8 (29)	3 (76)	1 1/8 (29)	2/2	1 1/8 (29)	1 1/2 (38)	1 1/8 (29)
		3/2	1 1/8 (29)	3 (76)	2 1/8 (54)	2/3	2 1/8 (54)	2 1/2 (64)	1 1/8 (29)
5	4 3/8 (111)	4/2	1 1/8 (29)	3 (76)	3 1/4 (83)	2/4	3 1/4 (83)	3 5/8 (92)	1 1/8 (29)
		5/2	1 1/8 (29)	3 (76)	4 3/8 (111)	2/5	4 3/8 (111)	4 3/4 (121)	1 1/8 (29)

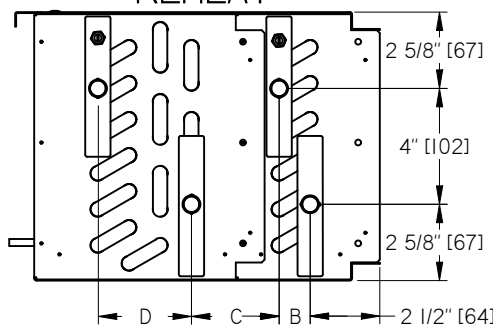
AIRFLOW



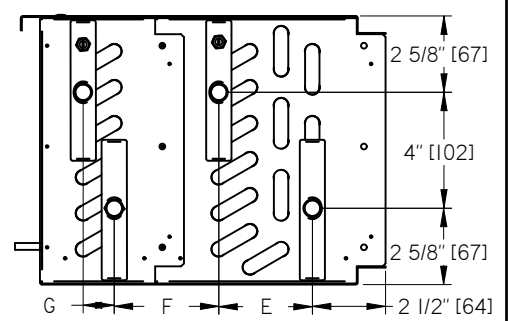
COOLING




REHEAT



PREHEAT



ALL METRIC DIMENSIONS () ARE SOFT CONVERTED. IMPERIAL DIMENSIONS ARE CONVERTED TO METRIC AND ROUNDED TO THE NEAREST MILLIMETER.

PROJECT:		 FAN COIL FCH-2-1 FAN COIL HORIZONTAL BOTTOM RETURN PLENUM
ENGINEER:		
CUSTOMER:		
SUBMITTAL DATE:		
SPEC. SYMBOL:		<p>TW</p> <p>274877</p> <p>2022/12/05</p>